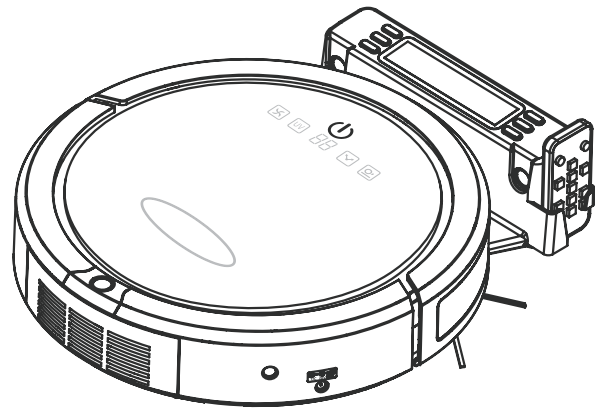


CleanMate

QQ6



QQ6 Series

Robotic Vacuum Cleaner

CleanMate

QQ6

QQ6 Series

Robotic Vacuum Cleaner

USER MANUAL

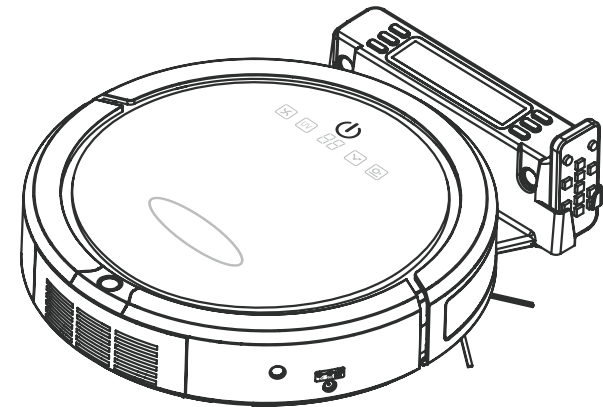


Table of Content

| | |
|---|----|
| Safety Precautions | 1 |
| Safety Instructions | 1 |
| Special Features | 2 |
| Cautions | 2 |
| Main Unit and Accessories | 3 |
| Main Unit Features | 4 |
| Remote Control Functions | 7 |
| Battery Installation and Removal | 8 |
| Sonic Wall Setup | 9 |
| Self Charging Home Base | 10 |
| Scheduler Operations | 11 |
| Installing Accessories | 13 |
| General Operation | 14 |
| Cleaning and Maintenance | 15 |
| Setting ID with Main unit | 17 |
| Useful Tips | 19 |
| Specification | 21 |
| Warranty Policy | 22 |

Safety Precautions

Before using this product, please read the following safety instructions and keep this operation manual for future reference.

Please follow all normal safety precautions to avoid the occurrence of situations such as fire, short-circuit, and injury.
Please make sure that you observe all the following safety precautions:

Safety Instruction

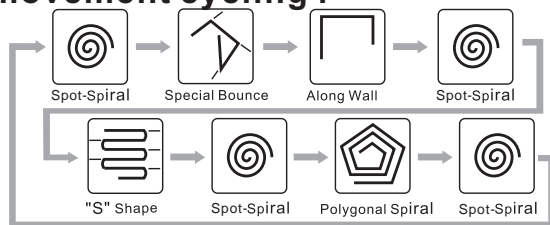
1. Read this user manual thoroughly before using this product.
2. This product is not for use outdoors.
3. This product is an electronic device. Never get it wet or let it come in contact with water. Do not use it in a moist or wet environment.
4. Before using this product, please tidy up things on the floor. You must remove all objects that could get caught in the rolling brush or in the air intake on the bottom of the unit. Examples include, clothing, power cords, cable, telephone cords, drapes of blinds, loose fringes of rugs. These items can get caught in the unit, and either prevent it from moving, or the unit could pull over a lamp, table, or chair (for examples) and cause damage to the unit, floor, object, or person.
5. Please do not sit or stand on this product. Pay special attention to toddlers or pets in the house to prevent harm to the unit or the child, pet or the unit.
6. Please do not use this product to clean a still-burning cigarette, a lit match.
7. Please do not use this product to clean flammable or highly volatile liquids such as gasoline or white gasoline.
8. To prevent damage to the vacuum, make sure that nothing is obstructing the air vents on the top of the unit.
9. When was not in use for long period, please charging battery, minimum one time during 2 months.
10. Use the factory-provided batteries and charger. If battery was over lifespan, please renew same type and rating of battery. Please ask your distributor.
11. When your hands are moist, do not touch the battery charger, plug or power cord.
12. When you need to clean this product, stop charging, and remove the Battery.

Special Feature

1. This product is a revolutionary robotic vacuum cleaner. It utilizes :

- 2 Side brush .
- 1 biggest and viewable dust-bin unique design .
- 2 option clean method --- Non-collided and Soft-touched .
- 4 drop sensors to keep unit from falling off .
- High efficiency and vacuum suction .
- Sonic-Wall --- Virtual blocking unit .
- Auto self-charging base --- Smart and efficiency .
- Unique UV light on the bottom helps to kill germs, dust mites on the floor.
- Spot spiral cleaning --- Select Mode 1 with remote controller.
- All cleaning parts could renew from unit outside and by yourself .
- Cleaning a wide variety of floor types
- Optimum dimension 33*8cm(13*3.1inch) --- Enables cleaning under beds, furniture .

2. Once the QQ6 is turned on, it will follow a five step repetitive movement cycling :



This wide variety of movement helps to ensure that QQ6 completely cleans a room.

Cautions



Do not look directly at the UV light.



Do not touch the UV light bulb with bare hands or sharp article. Natural skin oils will cause premature failure. Do not attempt to remove or replace the UV light. This light is a permanent fixture and is not user-replaceable.

Warranty Policy

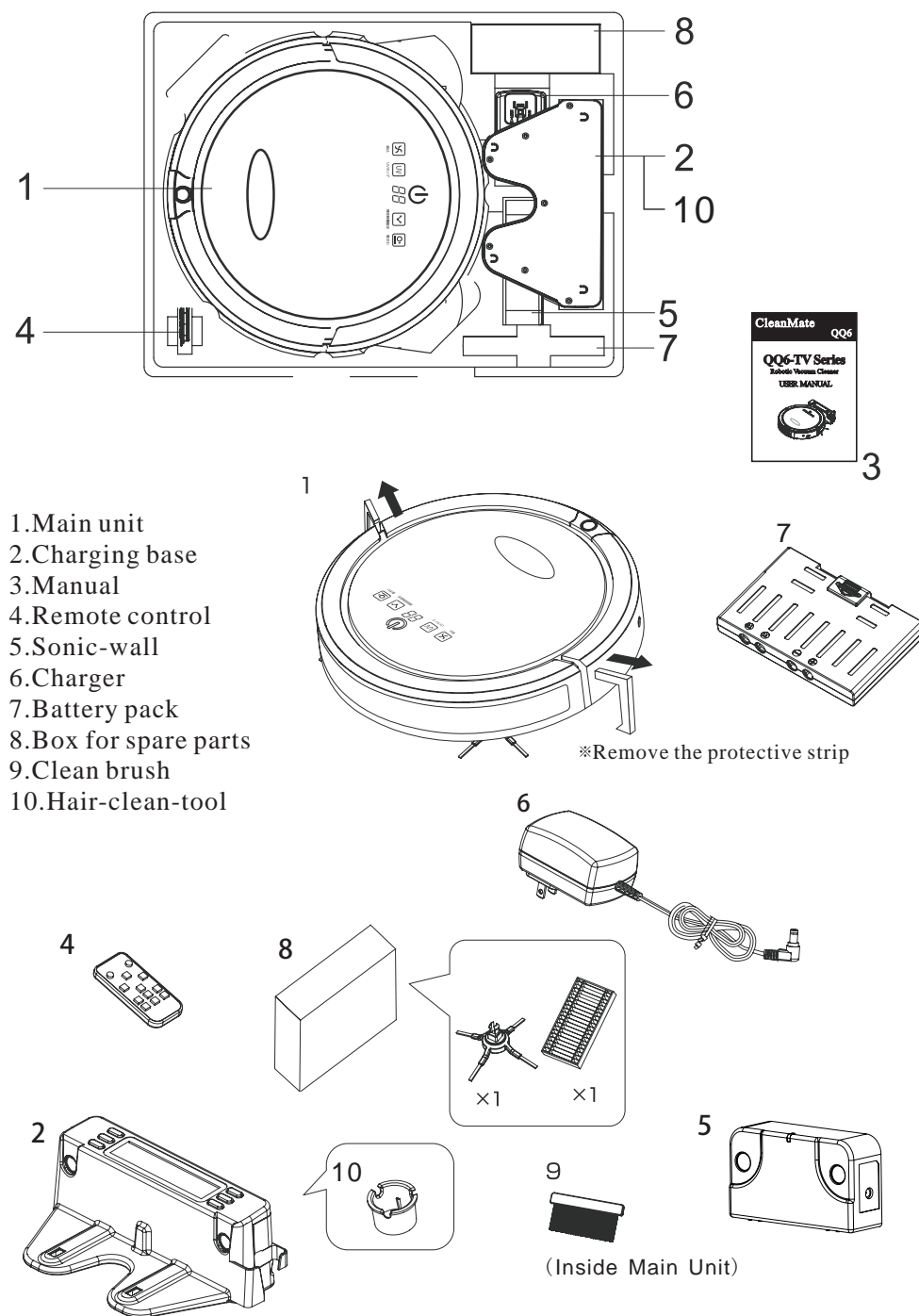
Please fill in your warranty card completely and submit it to your local customer service center.
CleanMate provides you, as the owner of this CleanMate product, with the Following Limited Warranty Policy.

One year Product Warranty:
CleanMate warrants to the original purchaser of this CleanMate product that the Product is free from defects in original materials and workmanship for a Period of up to one year from the date of initial purchase .This warranty is Only valid if the product has been properly installed and is used in the way For which it is intended, and has received only factory-authorized repairs, servicing or alterations.
Under-warranty products that meet these conditions and that function Improperly will be repaired or replaced, at the discretion of CleanMate.

Six months Battery Warranty:
CleanMate warrants to the original purchaser of this CleanMate product that The original batteries contained within this product will function for a Period of six months , This warranty is only valid if the product has been Properly installed and is used in the way of which it is intended, and has received only factory –authorized repairs , servicing, or alterations.
Under-warranty batteries that meet these conditions and that function Improperly will be repaired or replaced, at the discretion of CleanMate These warranties contain the sole express warranty of CleanMate , which makes no other warranties, expressed or implied, These warranties are made in lieu of any implied warranties of merchantability or fitness for a particulars purpose. These warranties give you specific legal rights. You may also have other rights, which vary from state to state.

WHEN YOU RETURN A CLEANMATE PRODUCT OR BATTERY UNDER THIS WARRANTY, you must first obtain an RMA number by calling your local customer service center or [www. CleanMate.com.tw](http://www.CleanMate.com.tw)
CleanMate reserves the right go request that you submit a letter describing The circumstances under which the problem occurred and that you submit invoice and any other supporting evidence and documentation.

Main Unit and Accessories

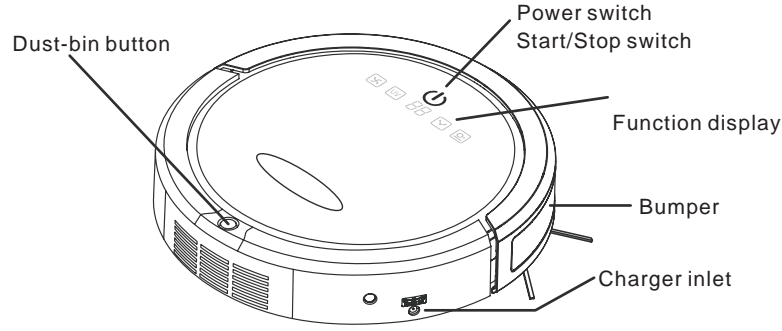


- 1.Main unit
- 2.Charging base
- 3.Manual
- 4.Remote control
- 5.Sonic-wall
- 6.Charger
- 7.Battery pack
- 8.Box for spare parts
- 9.Clean brush
- 10.Hair-clean-tool

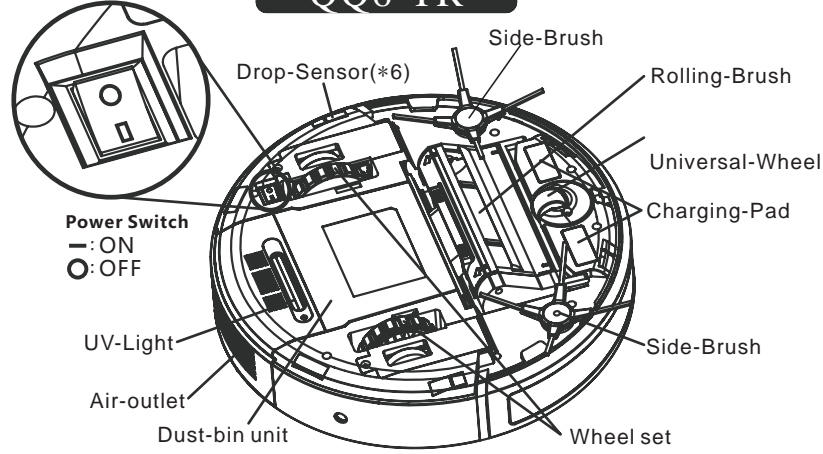
※Remove the protective strip

(Inside Main Unit)

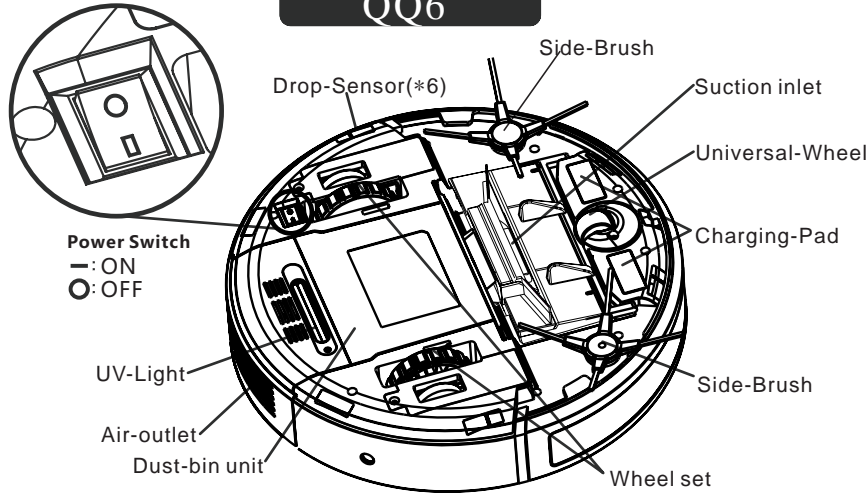
Front



QQ6-TR



QQ6

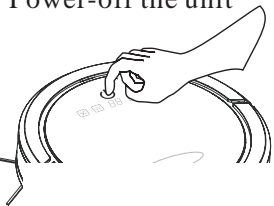


Specification

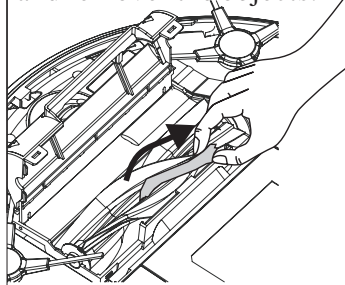
| Item | Description |
|-------------------------|---|
| Suction Power Speed | 1.2meters per second , 11500 rpm vacuum motor |
| Fast adapter/charger | Output:20Vdc 1000mA Input:100-240V 50-60Hz |
| Battery | Ni-MH 14.4V, 2.0Ah Rechargeable,2.5 hours of charging time |
| Noise | Max.65dB at distance of 1m (3ft) |
| Life time of UV ray | 6000 hours continuously |
| Capacity of dust bin | 0.5 liter |
| Moving speed of machine | 21.5~23.5 cm/sec |
| Remote control | IR with more than 10 meters controlling range, 3V button Lithium battery CR2032 |
| Types of movement | 5 types :Spot Spiral, Special Bounce, Along Wall, S shape, Polygonal Spiral |
| Dimension | 33cm(Diameter)x8cm(H)or 13inch(diameter)x3.15inch(H) |
| Weight | 3.2kg |

Tip#4: Fixing jams: If some object gets caught with roller brush or side brush, turn the QQ6's power off immediately. Remove anything that caused the jam before using the cleaner again.

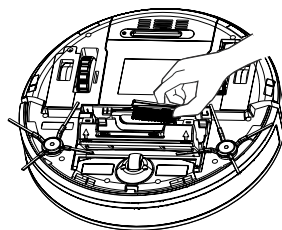
QQ6 will make a beeping sound when jammed.
Power-off the unit



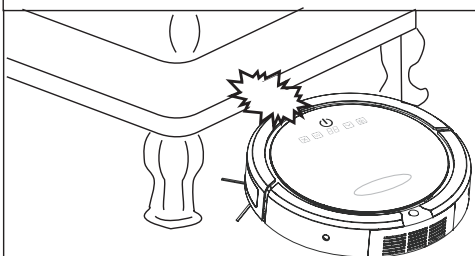
Turn it upside down, and remover the objects.



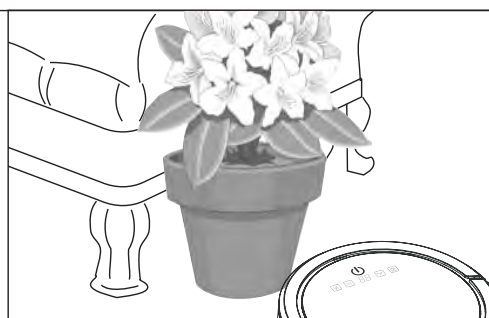
Clean the vacuum entry.



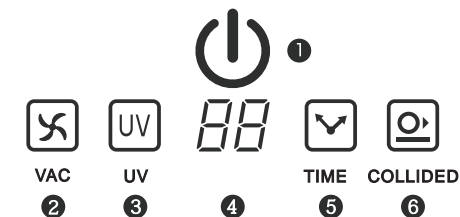
Tip#5 Block off certain areas with Sonic wall(or other objects)to get better cleaning result.



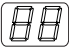


The space under some furniture may not be high enough for the QQ6 to get underneath.



Use a potted plant to block the QQ6 and prevent it going these places.




-  : Start/Stop : Push button then blue symbol light-up, QQ6 is power on.
 TIP : During cleaning, if symbol is light-blinking in Red color, means Battery-Low.
 TIP : During charging, if symbol is light-blinking in Blue, means "Charging".
 TIP : During charging, if symbol is light-up in Blue, means Charged-Fully.
-  : Start / Stop button : When the QQ6 is power on, Press the button QQ6 start working.
 Push button and blue symbol light off, QQ6 stop working.
-  : Timer/ Movement Mode / Error, display :
 1. Timer : You can use remote-controll setting clean time,80→70→60→50→40→30→20→10→80 repeat. (When next time turns on . Timer will be followed your last time setting)
 2. Movement Mode : When QQ6 start working, it is set "Automatic Mode".
 You can use remote-control to choice 6 kinds movement pattern : "1 Spiral", "2 Special-Bounce", "3 Along wall", "4 S shape", "5 Polygonal Spiral", and return to "A Automatic".
 The display will show "1" ~"5", and "A".

TIP : When you push "Battery" button of Remote-control.
 The display will show "H", it means go "Home" to charge battery.
 QQ6 will search "Charging base" then charging.


 3. Error message: When QQ6 was unreasonable stop working.
 The display will show "Error number" as "E1~E9".
 You can see the message on the Label of QQ6 bottom side.


Main Unit Features


Useful Tips

 : Non-collided: If the blue symbol light-on, the QQ6 will avoid collision.
You can push "collided" button or used the remote-control, to ON-OFF the function.

When "Non-collided" off, the bumper sensor will help QQ6 cleaning.

 : Suction Fan : The blue symbol light-up, the Suction-fan is activated.
You can push "Fan" button or used the remote-control, to ON-OFF it.


 : UV Light : The blue symbol light-up, the UV-Light is activated.
You can push "UV" button or used the remote-control, to ON-OFF it.
(When QQ6 start working, the UV Light is followed your last time setting)

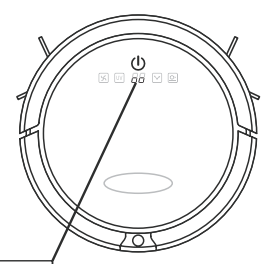
 : Error : If QQ6 got error, the Red symbol will be light-up.

TIP : Same time, you can see what kind error message "E1~E9" on "Timer" display.

- E1: Drop sensor over time/
Cleaner lift up
- E2: Charging error
- E3: Bumper touch over time
- E4: Battery over heating
- E5: Left wheel is overload
- E6: Right wheel is overload
- E7: Side brush is overload
- E8: Rolling brush is overload
- E9: Vacuum motor is overload

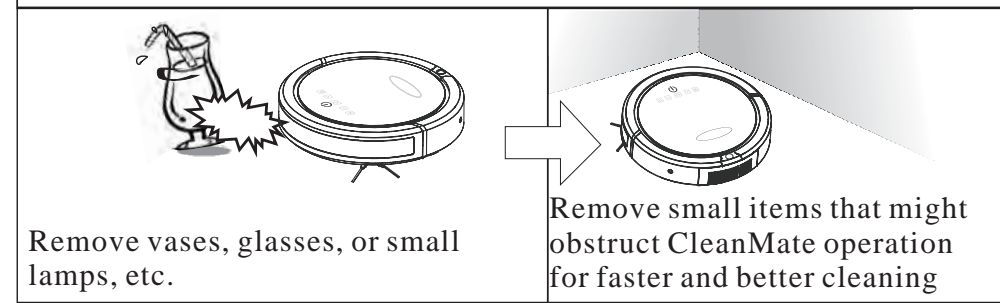
Dust full automatic reminded fuction

When the unit is charging and display , please clean up the dust box to a better cleaning



Dust box full reminder

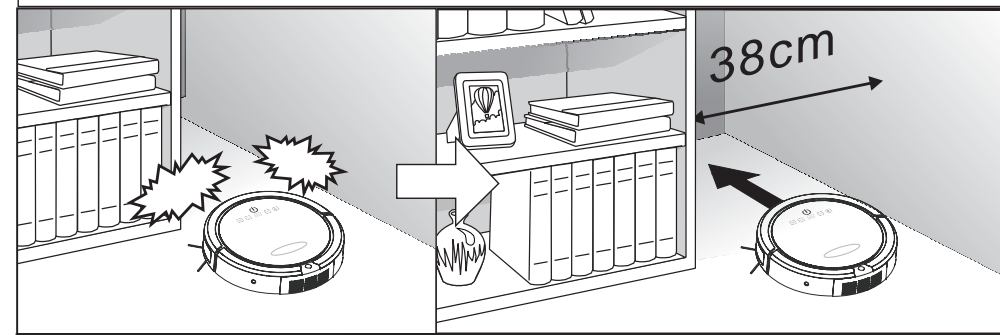
Tip#1: Prepare the cleaning area and remover large debris, loose cables, wires, and items that can be easily tangles with brush or knocked over.



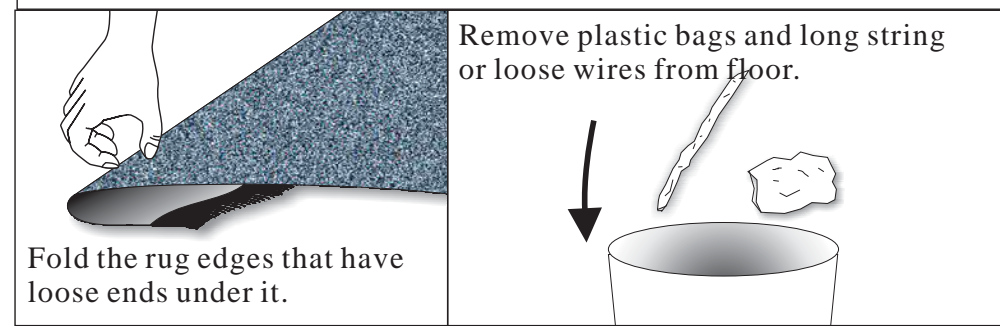
Remove vases, glasses, or small lamps, etc.

Remove small items that might obstruct CleanMate operation for faster and better cleaning

Tip#2: Leave enough clearance space(15" or more) for CleanMate to operate.





Tip#3: Do not let loose edges of rugs, drapes, table cloths, etc to get caught by QQ6 brushes. Roll the loose edges of rugs underneath.





Remove plastic bags and long string or loose wires from floor.



Fold the rug edges that have loose ends under it.

Setting ID with Main unit

Note: If the two symbol   are all light up (before you start setting), please clear previous ID of Main unit. You can follow the step of instruction e.



c) Let the sonic wall start to study:

If the two symbol   are all light up, please clear previous

ID of Main unit; If the any one of three symbol   is not light up, please follow below steps.


Step 1: Power on sonic wall the power LED light up ;

Step 2: Use one of toothpick to inset the hole at the back of the sonic wall and press down, when it emit "BF" sounds , one of the three symbol


  (must light off before) will light up, it means the sonic wall complete the study .

Note: If there are more sonic walls need to study, please operate above steps again, and at most you can play three sonic walls at the same time.

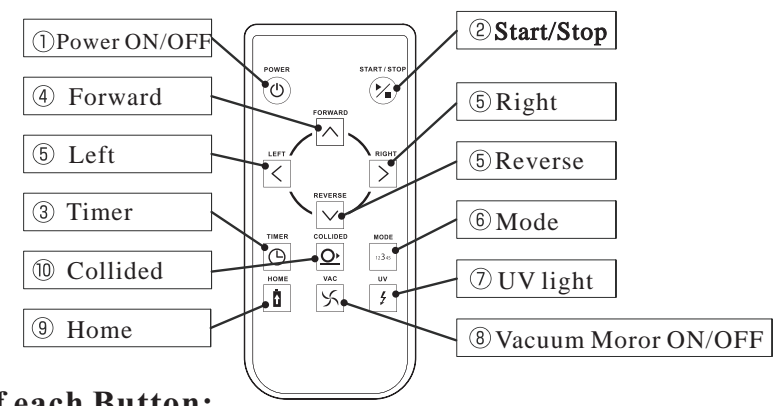
d) Let the main unit exit study mode:

Push the power button  to exit the study mode ,and the main unit complete the study.

e) Clear previous information of Main unit:

Let unit into study model (see step a), press  button, all the time , until heard "DI-DI" sounds. and all of 4 indicator lamps symbol are light off, it means cleared previous ID of main unit already, and you must reset all of ID for charging station, Sonic-wall, Remote control.

Remote Control Function



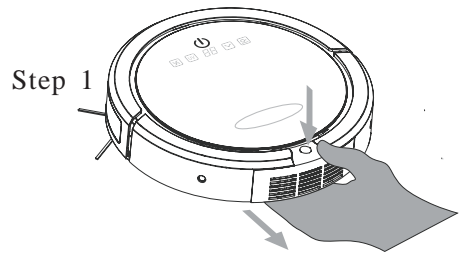
Function of each Button:

- ① ON/OFF: After power on main unit (by switch on the Main power switch), you can press ON/OFF keypad to control QQ6.
- ② START/STOP: Press the Button to begin the automatic cleaning of the room. Or to stop the activity of the unit, and it will emit a long sound.
- ③ Timer: Use this button to set the cleaning time of the QQ6.
- ④ FORWARD: When press Forward, QQ6 go forward and the suction fan is working, until user release the keypad. If touched obstacle, QQ6 will return.
- ⑤ LEFT/RIGHT/REVERSE: Use these buttons to manually drive the unit to the right, left and backward
- ⑥ MODE: Movement pattern selected, press the keypad once to make the unit clean in : "1" Spot Spiral (From small spiral to bigger, then bigger spiral to small, cycling) "2" Special Bounce, "3" Along wall, "4" S sharp, "5" Polygonal Spiral, "A" Automatic.
- ⑦ UV: Control the UV light turn on or off.
- ⑧ VAC: Control vacuum motor on or off.
- ⑨ Home: Use this button to make QQ6 go back to the charging base.
- ⑩ COLLIDED: Control cleaner used soft-touched bumper mode or non-collided.

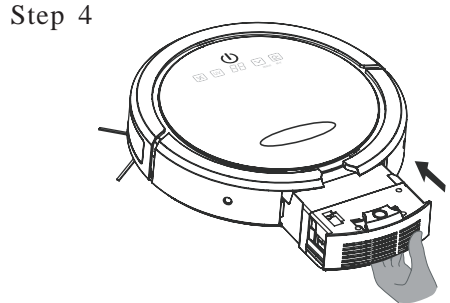
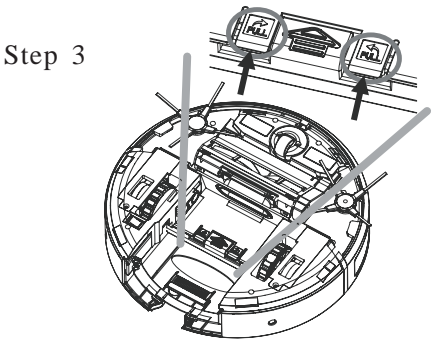
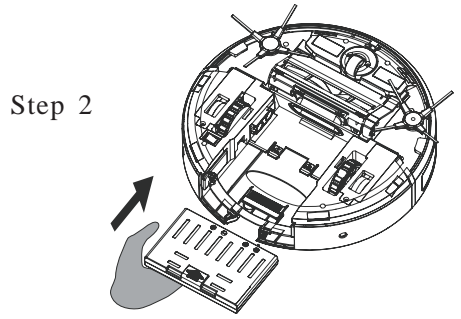
Battery Installation and Removal

1. Please follow below drawing, step by step to install battery.

- Step 1: Push down button, same time, pull out dust-bin.
- Step 2: Let QQ6 flip over. Follow the Arrow direction of battery, and take battery into slot.
- Step 3: Let plastic hook lock battery ready.
- Step 4: Put back dust-bin into QQ6.

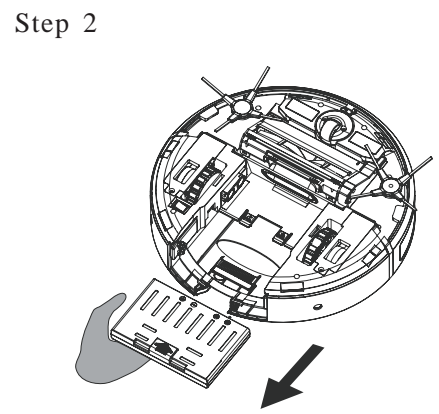
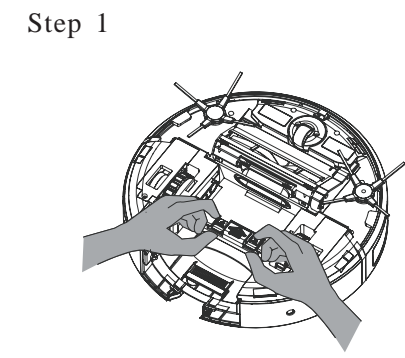


Push down "Button", same time Pull out "Dust-bin"



2. Please follow below drawing, step by step to remove battery.

- Step 1: Pull 2 hooks in the same time, battery will be popup itself.
- Step 2: Take out battery.

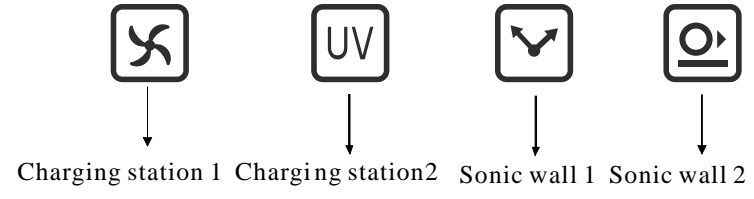


Setting ID with Main unit

Purpose:

If lost or buy new one of charging base, sonic wall, You need setting ID into new unit for communication with QQ6. How to set up ID:

Status of main unit indicator lamps when studying



Light up ----- Means the ID has been used already
 Light off ----- Means the ID has not been used yet

Tip: Each one main unit at most can be equipped with two charging stations and 2 sonic walls at the same time.

Step:

a) Let the main unit into study mode:

Push the start button on the main unit, Then press the uv button all the time, until heard 'DI-DI' sounds, and the display panel show **【Cd】**, it means the main unit into study mode already.

b) Let the charging station start to study:

There are two and display symbols to locate two charging station.

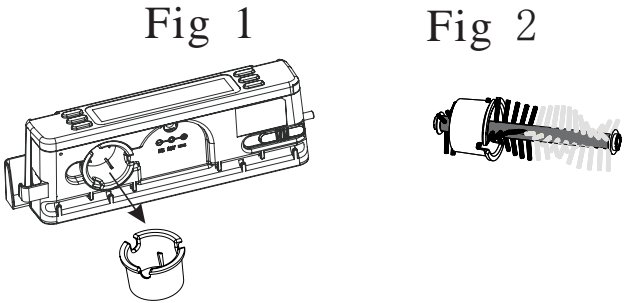
Any one of symbols does not light up, you can follow the steps to set up ID.

Step 1: Power on the charging station.

Step 2: Press the time setting button all the time, until heard "DI-DI" sounds, and one of the two buttons symbol will light up (the symbol must light off before), it means the charging station complete the study.

• Cleaning the roller brush.

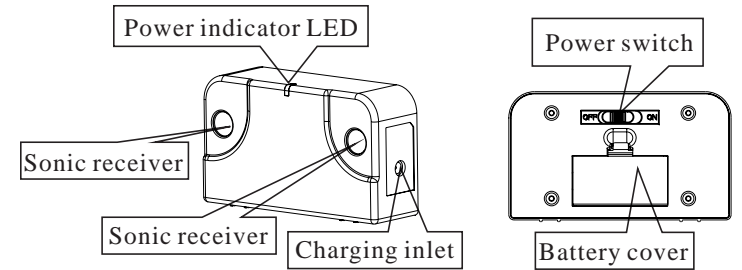
Follow Fig.1 take out the Hair-clean-tool from charging base.
Follow Fig.2 moved the tool to clean hairs in roller brush.



• Cleaning the QQ6

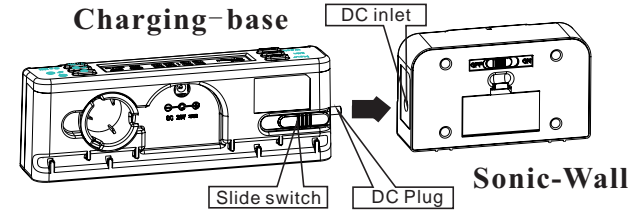
Over time dust and dirt can accumulate in different areas of the unit, DO NOT use water to clean the unit. This is an electrical unit, and if any of the electric components get wet, the unit will no longer work, and could cause a short circuit and potentially harm someone. Use Canned Air, the Hand Brush provided with the unit, or a dry cloth to wipe away accumulated dust and dirt. After operating the machine for a period of time, dust and dirt will accumulate on the vacuum entry on the bottom of the QQ6. Cleaning this area regularly will help ensure that the unit performs properly.

The Sonic wall create an invisible barrier that QQ6 will not cross.



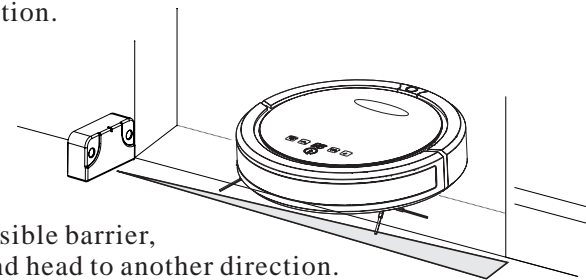
Instructions:

- 1.This CleanMate Sonic Wall is Powered by 2 AA batteries. Make sure to install the included AA rechargeable batteries in correct polarity.
- 2.To turn on the Sonic Wall, slide the power switch to position ON.
- 3.When power on, the blue LED light up still 70 sec., then will light off into waiting mode.After QQ6 start working in 6 sec., will wake up Sonic Wall and blue LED light up.If QQ6 stop working, after 10 sec., Sonic Wall will into waiting mode for power saving.
- 4.The best effective distance of Sonic Wall barrier is about 3M(10 ft).
- 5.When LED is blinking, it means battery low.



- You can charge battery by charging base, please see above drawing.
- Step 1: The power switch of Sonic Wall, must set "ON" position.
 - Step 2: Press and Slide out the "Slide switch" from charging base.
 - Step 3: Plug the DC plug into DC inlet.
 - Step 4: Blue LED is blinking. When charging is complete, LED will light steady.

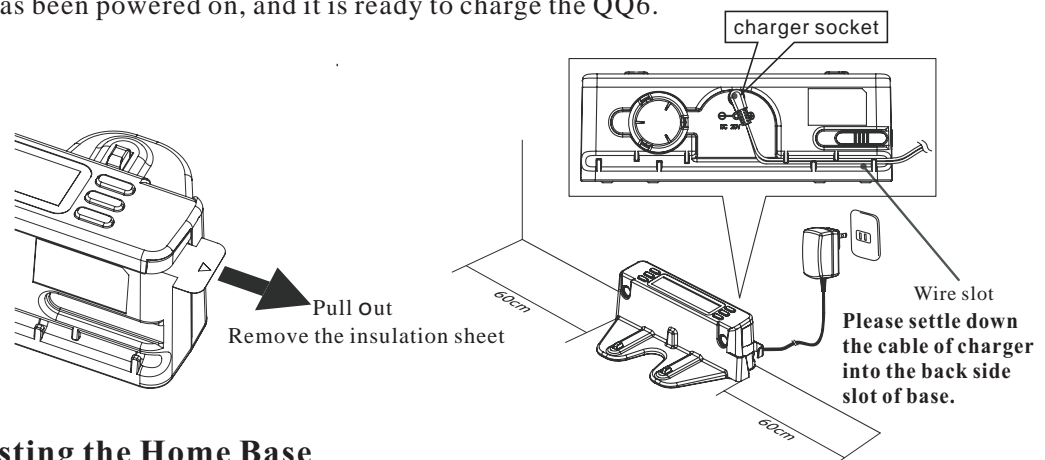
- 6.When QQ6 cleaning, the Sonic Wall position must be away from charging base at least 1m(3 ft), and avoid face to charging base.
- 7.When QQ6 complete cleaning , you can power off the Sonic wall by slided the power switch to "OFF" position.



QQ6 detects the invisible barrier, it will turn around and head to another direction.

Preparations

1. Find a proper place (we recommend a hard surface floor) to put the Self-Charging Home Base in the room. Leave about 60cm (2ft) clearance around the Home Base.
2. Connect the battery charger to the power input socket on the back of home base first. Then, place home base against the wall. Don't leave loose wire around the wall. Finally, plug battery charger to AC power outlet on the wall.
3. Make sure the LCD display on the Home Base is on. This means that the Home Base has been powered on, and it is ready to charge the QQ6.

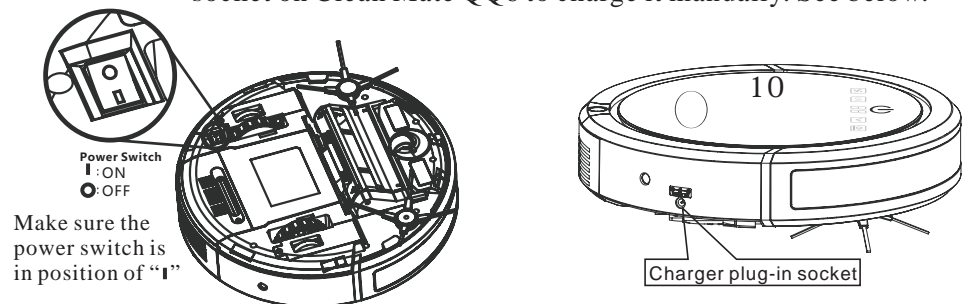


Testing the Home Base

1. Put the QQ6 on the floor close to the Home Base and turn it on, Now press the "Home" key on remote control. The QQ6 should return to the Home Base automatically for self-charging.
2. Make necessary adjustment to the Home Base if the QQ6 can not dock on the Home Base properly.

Battery Charging Methods

1. Auto Charging: Clean Mate QQ6 can automatically return to the Charging base to charge itself when battery runs low. User can also press "HOME" on remote control to let it return to the base at any time.
2. Auto Charging: Users can always plug the battery charger to side Charging socket on Clean Mate QQ6 to charge it manually. See below.



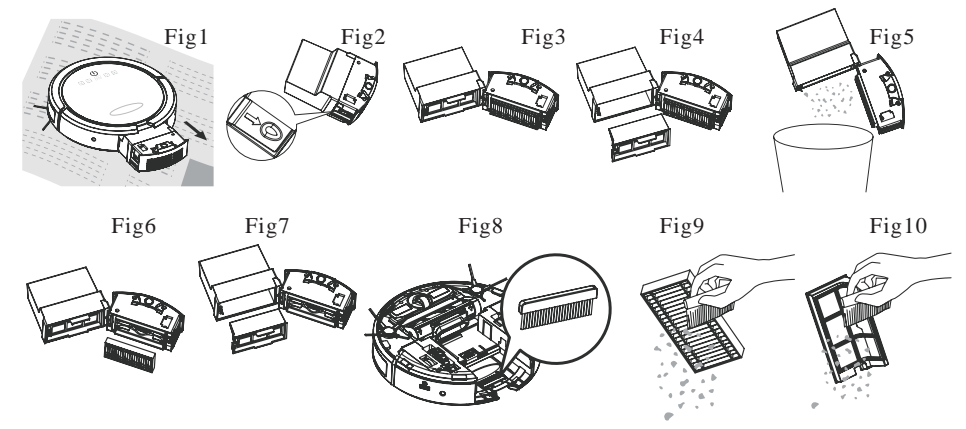
Cleaning and Maintenance

The operation and maintenance of the QQ6 is very simple. To maintain top performance of the unit, it is recommended that you follow a routine cleaning and maintenance schedule after each use.

1. Make sure to clean empty the Dust Bin and to brush off the Air Filter after every cleaning cycle.
2. Make sure that there is not a lot of hair, string, etc caught up in the Roller Brush.
3. Make sure that there is nothing blocking the air ventilation exits on the back and bottom of the unit.

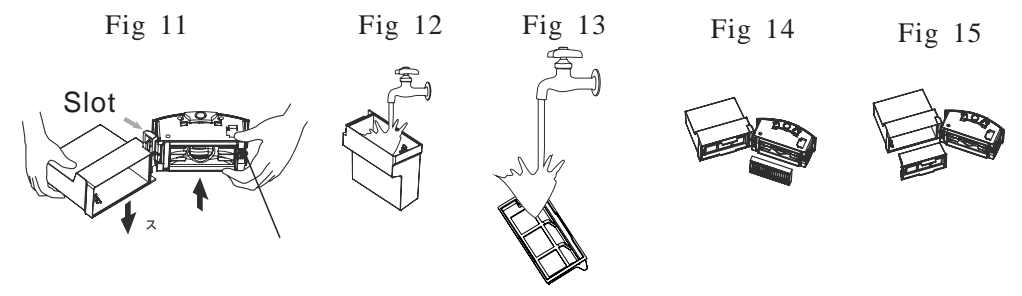
• Cleaning Dust Bin and Air Filter

Please follow Fig.1 to Fig.6 to clean it.
(In Fig.2, you can see Open-button at side of dust bin)



• Washing Dust Bin and Air Filter

Please follow Fig.11 to separate Dust Bin and suction motor unit. Follow Fig.12、13, to wash it. Follow Fig.14, 15 to install it.



General Operation

1. Make sure you have completely charged the battery before using it for the first time.
2. Room preparation:
 - A. Pick up all large items off of the floor that could get stuck in the brushes or the vacuum intake.
 - B. Pick up/hide all cords that could get tangled in the unit.
 - C. Move all items that could be easily knocked over.
 - D. Roll under loose edges of rugs with any type of stringy fringe.
3. When using the QQ6 in a room for the first time, watch how it operates in the room. Watch for areas that the unit has troubles operating in, and either block these areas of the room or move objects around so that the unit can clean effectively and not get stuck or hung up before it is able to clean the entire room.

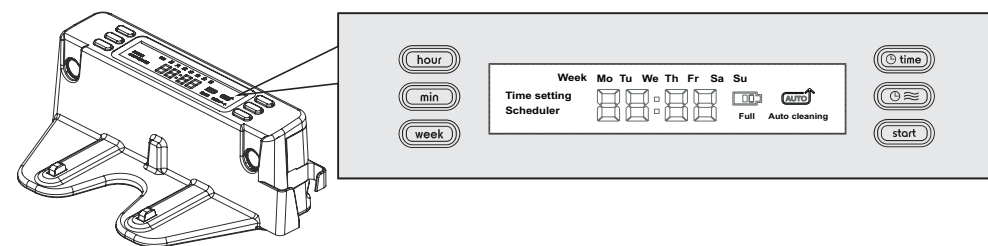
Starting Operation

1. Clean out the dust bin before use.
2. Place the QQ6 on the floor in a relatively open space near the middle of the room to be cleaned.
3. Press the power switch on the main unit to turn it on
4. Set the timer of the unit to the desired cleaning time by pressing the Timer button on the remote control.
For Reference: Use 10 minutes of cleaning time for Every 5-7M² (54-72ft²) of floor space. Cleaning time may vary depending on the type of floor being cleaned.
5. Press the Start button on the control panel or the remote control. After a short delay, the QQ6 will begin to automatically clean the floor.
6. At the end of the cleaning cycle, the QQ6 will emit a long beep and will turn off the vacuum motor and start to search for charging base.
If the low battery light on the unit is blinking, then the battery is low and QQ6 needs to be recharged before it can be used again.

Stopping Operation

- Press the start/stop button on the control panel of the unit or Press the Stop button on the remote control

Scheduler Operations



The scheduling function of QQ6 is built in Charging-base.

User has the freedom to set up the cleaning time according to pre-programmed schedule.


On this preset cleaning time, QQ6 will leave charging-base and start the cleaning session automatically.

User can program it to start cleaning job at the same time on every day, or on any day of week user choose.

The scheduler LCD display is located on the top of "charging-base" unit.

Before setting local time and cleaning time, user needs to plug in "Charger", to power up the "Charging-base".

Button switch:

: Local time setting button : Push the button, the ":" pattern of LCD will stop blinking.

User can push the "Week", "Hour", "Min." button to update local time.

For example: Push "week" button, will show "Monday", push again will show next day of week.

Choose the true day, then push "" button again.

The ":" pattern will regain blinking, the Day setting is completion.

The "Hour" and "Min." are same operation.

TIP : If user operating local time setting, the LCD display will show "Time setting".

: Scheduling cleaning time button :

Step 1 : Push the button, the ":" pattern of LCD will stop blinking. and the LCD will show "Scheduler".

Step 2 : Push "Week" button, LCD will show "Mo" and blinking.

You can push "Week" button again during in period 8 sec. to set "Mo" is cleaning day.


If you did not push "Week" button over 8 sec., "Mo" will jump to "Tu" automatically.

You can choose some days in one week. after finished setting, will show on LCD.

Step 3 : Push "Hour" button to schedule hour setting, you can see "Hour" number on LCD, Choose the right Hour number of cleaning time.

Scheduler Operations

Step 4 : Push "Min." button, same as above, setting "minutes" of cleaning time.

Step 5 : Push "  " again, when you completed the cleaning time setting.

The ":" pattern of LCD will regain blinking.

TIP : The scheduler function must have "Day of week" setting.

TIP : You can push "Hour" button to "---:---" pattern of LCD, to stop scheduler function.

TIP : If the "scheduling clean time" was not complete setting and over 60 sec. The LCD will regain "Local time" display.

 : Anytime Go cleaning button :

1. Push button (Just one shoot) :

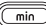
When QQ6 is charging fully, it will leave charging-base to cleaning automatically.

2. Push button (Over 3 sec).

If QQ6 seated on charging-base, it will leave base and cleaning immediately.



 : Day of week button : Setting the day of week timing.

 : Hour button : Setting the hour of day timing.

 : Minute button : Setting what minutes of hour timing.

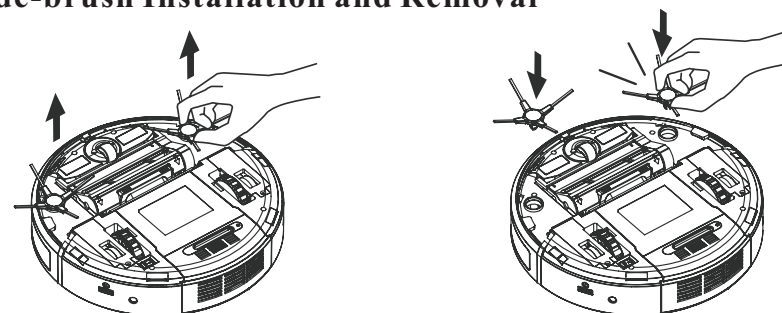
Display Pattern of LCD :

 : When you push "Start" button (just one shoot), the "  " will show on LCD.

 : During QQ6 charged fully, "  " "Full" will show on LCD.

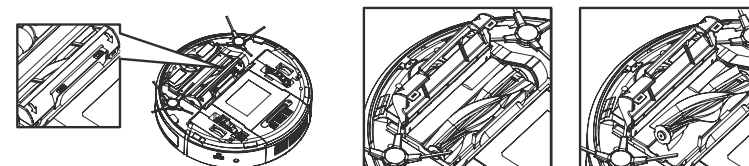
Installing Accessories

Side-brush Installation and Removal

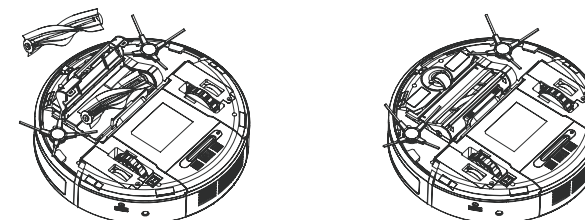


Roller Brush Installation and Removal

• Use " Pull " button(open), then take out roller-brush.



• Insert roller-brush, then press the Push-button close the cover .



Fragrance Installation and Removal

The QQ6 has a compartment built into it for adding fragrance to the air as the unit cleans. Any solid scent packet, insert, or dryer sheet can be used. DO NOT use any type of Liquid or Oil Fragrance with this unit.

